



MONSOON
WET DOWNDRAFT TABLE



The MONSOON™ Wet Downdraft Table product series delivers the safe capture of hazardous/combustible dusts with the smallest equipment footprint in the industry. This self-contained wet downdraft table's patent-pending design achieves a very high face-velocity at a very affordable price. A wide range of application kits and custom fittings can help you meet your NFPA and OSHA requirements.

The MONSOON™ series all include industrial swivel casters, adding mobility and versatility to your application. This wet filtration table is perfect for capturing combustible dust, including mixtures of steel, aluminum, titanium, and magnesium.

The MONSOON™ works by drawing dust-laden air through the table surface and into a cascading water bath. The wet downdraft table cleans the air by using the combined action of centrifugal force and a thorough intermixing of water and dust laden air. The dust is separated from the airstream by water droplets created by the flow of air through strategically placed baffle plates. Once wet, the dust becomes permanently trapped and falls down into a reservoir.

Benefits:

- Capture-at-source for Cleaner Air
- Complies with NFPA guidelines for Combustible Dust

Features:

- Auto-fill Water Control System (3X4, 3X6, 3X8)
- Anti-corrosion Stainless Steel Construction
- Motor Starter and a Non-Sparking Blower Wheel
- Low-cost mist eliminator afterfilters

Options:

- Auto Wash-down System
- WV-55 Sludge-Vac
- Side and Back Walls
- Hepa after-filter kit (99.99% @ 0.3 micron)
- Dust-Tight\Vapor-Tight Light Kit
- Auto-fill Water Control System (MDD-MINI)

**Custom configurations available on request.*





Models



MDD-MINI



MDD-3X4

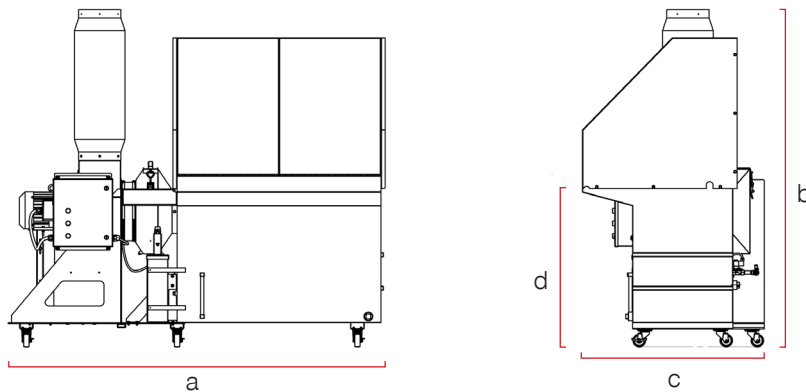


MDD-3X6



MDD-3X8

MDD-MINI and MDD-3X4 shown with optional side and back walls.



Dimensions **

| Model | Footprint (in.) | | | Net Weight (lbs.) | Worksurface (in.) | | | Water | |
|----------|-----------------|------------|------------|-------------------|-------------------|------------|--------|--------------|-------------|
| | Width [a] | Height [b] | Length [c] | | Width | Height [d] | Length | Supply (in.) | Drain (in.) |
| MDD-MINI | 68 | 74 | 41 | 542 | 30 | 41 | 36 | 1/2 NPT | 1 1/2" NPT |
| MDD-3X4 | 90 | 81 | 44 | 621 | 49 | 41 | 36 | 1/2 NPT | 1 1/2" NPT |
| MDD-3X6 | 117 | 87 | 44 | 646 | 73 | 41 | 36 | 1/2 NPT | 1 1/2" NPT |
| MDD-3X8 | 142 | 102 | 57 | 810 | 98 | 41 | 36 | 1/2 NPT | 1 1/2" NPT |

1. Water Level is marked on each unit.

** Product dimensions are based on base-models and may vary depending on selected product features. Please contact us for an accurate shipping quote.

Technical Specifications

| Model | Water Fill System | Nominal Airflow (CFM) | Tank Capacity (Gallons) | Motor (H.P.) | Power | | | | Noise @5ft. (dB) |
|----------|-------------------|-----------------------|-------------------------|--------------|------------|--------------|--------------|--------------|------------------|
| | | | | | Phase (hz) | @230V (amps) | @460V (amps) | @575V (amps) | |
| MDD-MINI | manual | 1200 | 23 | 3.0 | 3P / 60Hz | 9.6 | 4.8 | 3.9 | 75 |
| MDD-3X4 | auto | 3000 | 40 | 5.0 | 3P / 60Hz | 15.2 | 7.6 | 6.1 | 72 |
| MDD-3X6 | auto | 5000 | 60 | 10.0 | 3P / 60Hz | 28.0 | 14.0 | 11.0 | 78 |
| MDD-3X8 | auto | 6500 | 60 | 15.0 | 3P / 60Hz | 34.0 | 16.9 | 14.0 | 80 |

HEAD OFFICE

1200 55th Avenue
Montreal, QC H8T 3J8

DISTRIBUTION CENTERS

CANADA Montreal, QC Toronto, ON
UNITED STATES Trenton, NJ Chicago, IL Reno, NV

CONTACT US

Toll Free: 1-800-361-3733
info@diversitech.ca